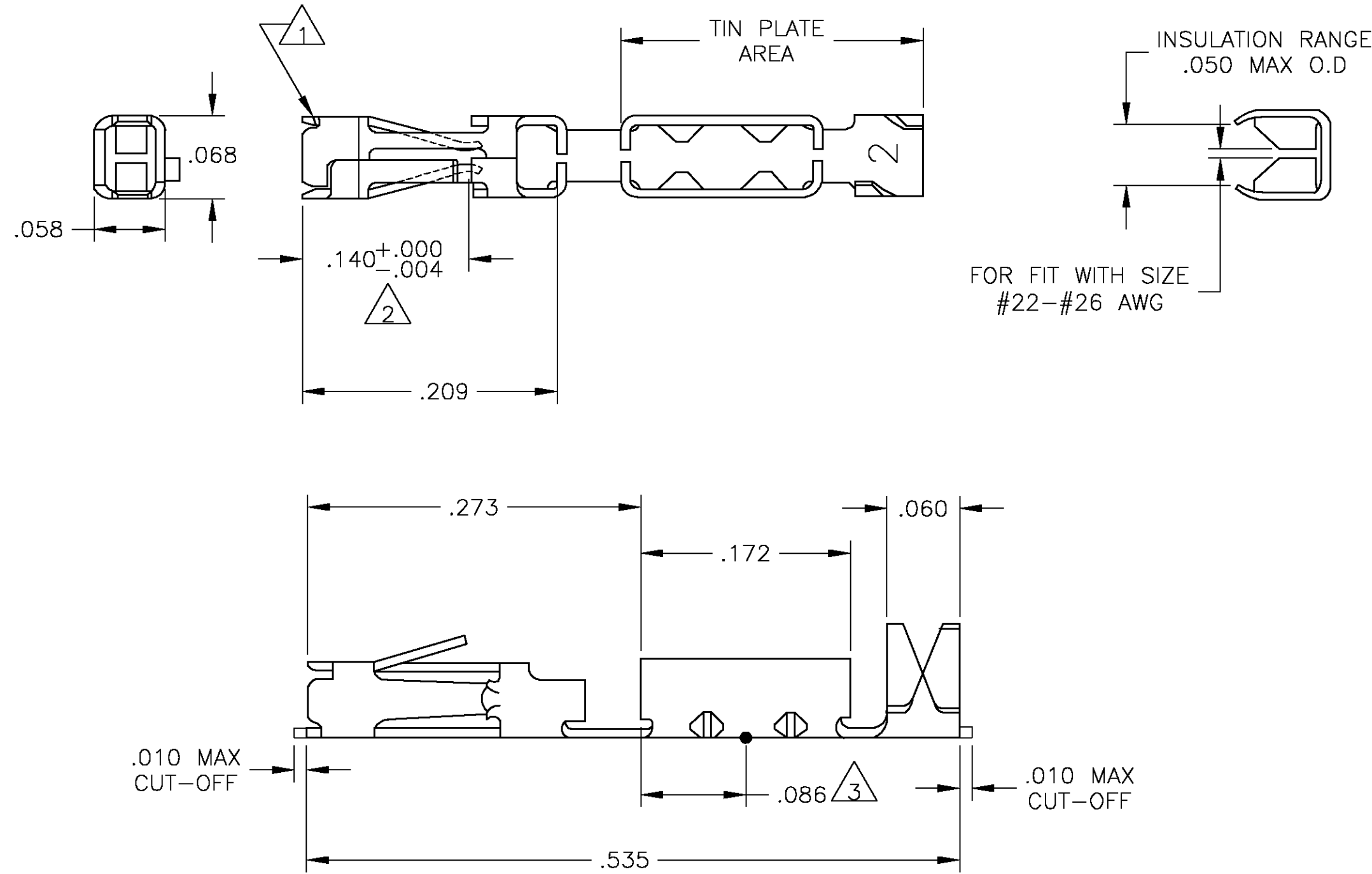


THIS DRAWING IS UNPUBLISHED. RELEASED FOR PUBLICATION
 © COPYRIGHT BY TYCO ELECTRONICS CORPORATION. ALL RIGHTS RESERVED.

LOC	DIST	REVISIONS					
		P	LTR	DESCRIPTION	DATE	DWN	APVD
AD	00	G		EC 0G3C 0474 04	17JAN05	BSV	DFR



- ① CUT OUTS ON BOX AT MANUFACTURERS OPTION
- ② POINT OF MEASUREMENT FOR PLATING THICKNESS (INSIDE BEAMS)
- ③ POINT OF MEASUREMENT FOR PLATING THICKNESS (OUTSIDE BOTTOM)

	.000003 GOLD IN CONTACT AREA, .000050 MIN TIN IN AREA SHOWN, ALL OVER .000050 NICKEL	5-102399-1
OBSOLETE	.000050 MIN W.E #1 GOLD ALLOY IN CONTACT AREA. .000050-.000100 TIN-LEAD IN AREA SHOWN ALL OVER .000050 NICKEL	1-102399-8
OBSOLETE	.000100-.000200 BRIGHT TIN OVER .000050 NICKEL	102399-9
OBSOLETE	.000015 GOLD IN CONTACT AREA, .000050 MIN TIN-LEAD IN AREA SHOWN, ALL OVER .000050 NICKEL	102399-6
	.000030 GOLD IN CONTACT AREA, .000050 MIN TIN-LEAD IN AREA SHOWN, ALL OVER .000050 NICKEL	102399-3
PLATING		PART NO LOOSE PIECE

THIS DRAWING IS A CONTROLLED DOCUMENT.		DWN B S VISWESWARA 26MAY05	Tyco Electronics Corporation Harrisburg, Pa 17105-3608	
DIMENSIONS: INCHES		CHK D ROHDE 26MAY05	NAME	
TOLERANCES UNLESS OTHERWISE SPECIFIED:		APVD D ROHDE 26MAY05	CONTACT- MOD IV MASS TERMINATION AMPMODU #22 - #26 AWG WIRE SIZE	
0 PLC ± - 1 PLC ± - 2 PLC ± - 3 PLC ± .005 4 PLC ± - ANGLES ± -		PRODUCT SPEC	SIZE A2	CAGE CODE 00779
MATERIAL PHOS. BRONZE		FINISH SEE TABLE	DRAWING NO C=102399	RESTRICTED TO
		WEIGHT -	SCALE 10:1	SHEET 1 OF 1
		CUSTOMER DRAWING	REV G	